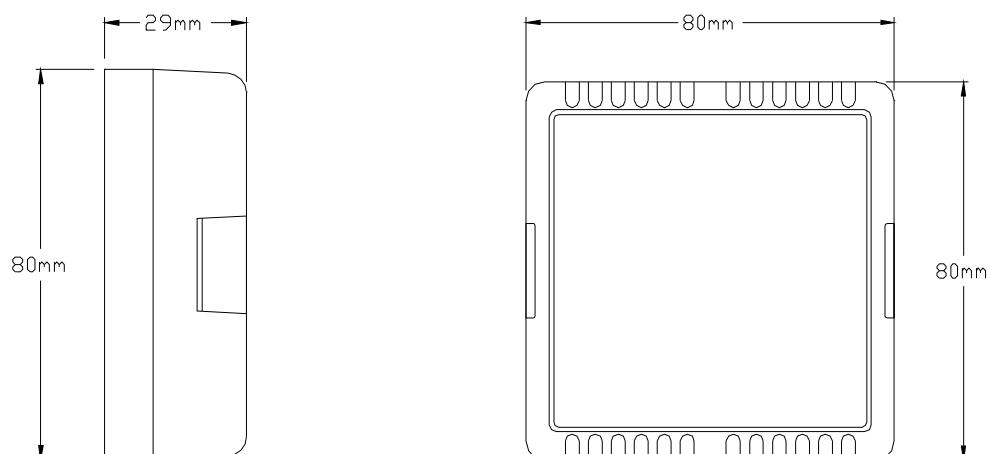


About the Adam SMARTbuilding Solution:

ADAM SMARTbuilding solutions are web enabled wireless building energy management systems that deliver best practice estates management, reducing energy consumption, maintenance costs and carbon emissions.

About the SMART Room Sensor:

The Smart Room Sensor is designed to be wall mounted and monitor the temperature in a given location. It's additional digital channel can be used to monitor a digital output from a variety of sources such as a Smoke Alarm or volt free contacts on any number of devices.



Device	Technical		Environmental	
ASD04R SMART Room Sensor	Range	Wireless range of approx. 50m within buildings, 200m line of sight Signal Hopping through mains powered Adam wireless devices to extend range	Operating Temperature	-10°C to 60°C (with no icing)
	Communications	RF frequency range: 433.23 – 434.35 MHz or 868-870 MHz and 902-928 MHz RF Power Output: 10mW (433.23 – 434.35 MHz) 1mW (868 – 870 MHz) 1mW (902 – 928 MHz)	Storage Temperature	-30°C to 85°C (with no icing)
	I/O Connectivity	1 Analogue input channel with 10k Thermistor installed 1 Spare analogue input channel 1 Digital Input Channel	Cooling	Convection Cooled
	Power	9V Battery (Supplied) Power Range: 6-13.5V DC	Operating Humidity	20-80% RH Non-condensing
	General	IP65 Rated Enclosure Weight: 50g (including Battery) Dimensions: W 79mm x H 79mm x D 25mm	Shock	4G, 22ms, X, Y & Z axis
	Mounting	Wall mountable	Vibration	1G, 10Hz to 500Hz, X, Y & Z axis